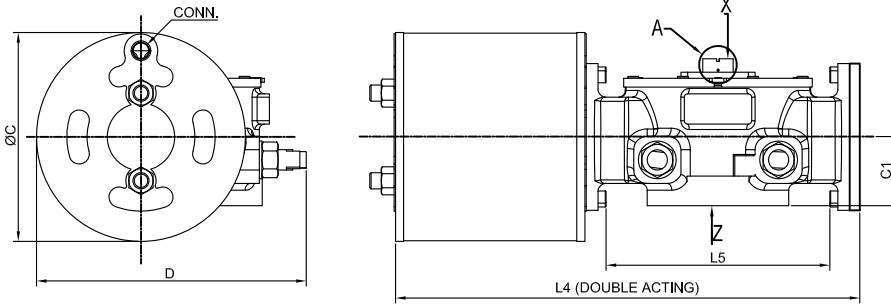
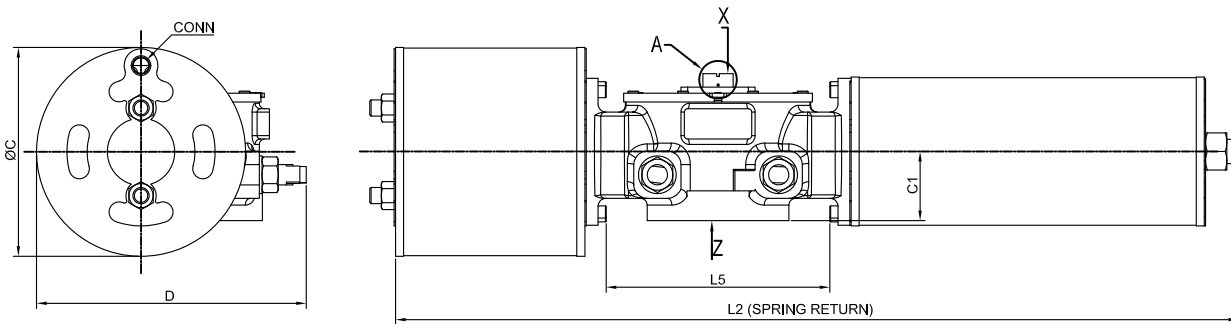




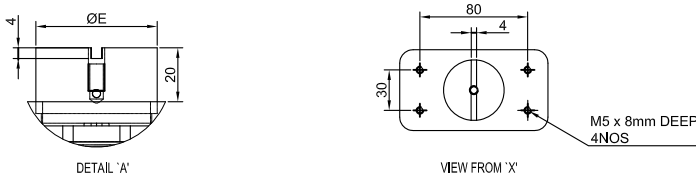
DOUBLE ACTING



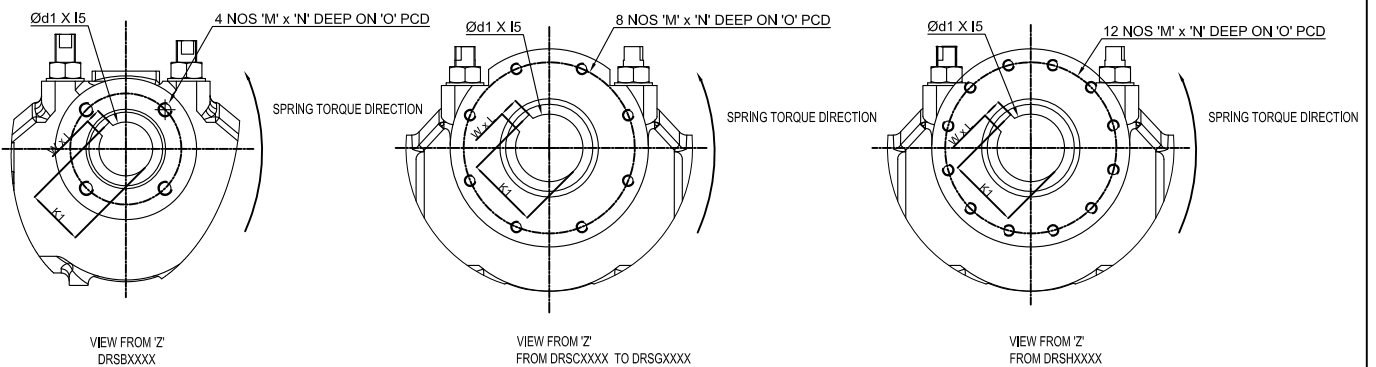
SPRING RETURN



NAMUR DIMENSIONS FOR LIMITSWITCH



FEMALE DRIVE





DIMENSION DETAILS: METRIC MODEL DRS

MODEL	d1	KEY WAY (W)	K1	KEY WAY (L)	M	N	I5	øO	C1	FLANGE
DRSB	80	22	85.4	156	M20 X 2.5P	22	160	165	102	F16
DRSC	100	28	106.4	183	M16 X 2P	24	190	254	98.5	F25
DRSD	120	32	127.4	212	M20 X 2.5P	22	220	298	121	F30
DRSE	160	40	170	295	M30 X 3.5P	32	300	356	148.5	F35
DRSG	178	45	188.4	366	M36 X 4P	44.5	370	406	177	F40
DRSH	220	50	231.4	389	M36 X 4P	54	390	483		F48
DRSJ	280	63	292.4	448	M36 X 4P	54	450	603		F60
DRSM	360	90	377.4	550	M36 X 4P	54	560	603		F60

MODEL	L2	L4	L5	C	D	øE	CONN.
DRSB0300	1553	728	320	310	400	45	3/4" NPT
DRSB0350	1560	735		364	430		3/4" NPT
DRSB0400	1567	742		425	460		3/4" NPT
DRSC0300	1684	821	360	310	400	45	1/2" NPT
DRSC0350	1691	828		364	425		1/2" NPT
DRSC0400	1698	835		425	455		3/4" NPT
DRSC0500	1705	842		525	505		3/4" NPT
DRSD0300	1956	991	430	310	465	45	1/2" NPT
DRSD0350	1962	997		364	488		1/2" NPT
DRSD0400	1969	1004		425	520		3/4" NPT
DRSD0500	1976	1011		525	570		3/4" NPT
DRSD0600	1983	1018		625	620		3/4" NPT
DRSD0700	1990	1025		780	700		1" NPT
DRSE0400	2295	1215	470	425	565	45	1" NPT
DRSE0500	2302	1222		525	615		3/4" NPT
DRSE0600	2309	1229		625	665		3/4" NPT
DRSE0700	2316	1236		780	745		1" NPT
DRSE0800	2323	1243		850	780		1" NPT
DRSE0900	2330	1250		950	830		1 1/2" NPT
DRSG0500	2963	1516	590	530	580	55	3/4" NPT
DRSG0600	2970	1523		640	634		3/4" NPT
DRSG0700	2977	1530		780	704		1" NPT
DRSG0800	2984	1537		850	739		1" NPT
DRSG0900	2991	1544		950	789		1 1/2" NPT



DIMENSION DETAILS: IMPERIAL MODEL DR SX

MODEL	d1	KEY WAY (W)	K1	KEY WAY (L)	M	N	I5	C1	øO
DRSBX	3.254	0.752	3.5	6.155	3/4"- 10 UNC	0.866	6.155	4.016	6.50
DRSCX	4.004	1.002	4.33	7.185	5/8" - 11 UNC	0.945	7.185	3.878	10.00
DRSDX	4.754	1.252	5.12	8.332	3/4" - 10 UNC	0.866	9.332	4.764	11.75
DRSEX	6.254	1.502	6.67	11.605	1" - 8 UNC	1.260	11.605	5.847	14.00
DRSGX	7.004	1.752	7.65	14.410	1 1/4" - 7 UNC	1.752	14.410	6.969	16.00
DRSHX	8.754	2.002	9.38	15.290	1 1/4" - 7 UNC	1.752	15.290		19.00
DRSJX	11.004	2.502	11.74	17.650	1 1/4" - 7 UNC	1.752	17.650		23.75
DRSMX	14.005	3.252	15.07	21.900	1 1/4" - 7 UNC	1.752	21.900		33.00

MODEL	L2	L4	L5	C	D	øE	CONN.
DRSBX0300	61.14	28.661	12.60	12.20	15.75	1.77	3/4" NPT
DRSBX0350	61.42	28.937		14.33	16.92		3/4" NPT
DRSBX0400	61.69	29.213		16.73	18.11		3/4" NPT
DRSCX0300	66.30	32.323	14.17	12.20	15.75	1.77	1/2" NPT
DRSCX0350	66.57	32.598		14.33	16.73		1/2" NPT
DRSCX0400	66.85	32.874		16.73	17.91		3/4" NPT
DRSCX0500	67.13	33.150		20.67	19.88		3/4" NPT
DRSDX0300	77.01	39.016	16.93	12.20	15.94	1.77	1/2" NPT
DRSDX0350	77.24	39.252		14.33	19.21		1/2" NPT
DRSDX0400	77.52	39.528		16.73	20.47		3/4" NPT
DRSDX0500	77.80	39.803		20.67	22.44		3/4" NPT
DRSDX0600	78.07	40.079		24.61	24.41		3/4" NPT
DRSDX0700	78.35	40.354		30.71	27.56		1" NPT
DRSEX0400	90.35	47.835	18.50	16.73	22.24	1.77	1" NPT
DRSEX0500	90.63	48.110		20.67	24.21		3/4" NPT
DRSEX0600	90.91	48.386		24.61	26.18		3/4" NPT
DRSEX0700	91.18	48.661		30.71	29.33		1" NPT
DRSEX0800	91.46	48.937		33.46	30.71		1" NPT
DRSEX0900	91.73	49.213		37.40	32.68		1 1/2" NPT
DRSGX0500	116.65	59.685	23.23	20.67	22.83	2.165	3/4" NPT
DRSGX0600	116.93	59.961		24.61	24.96		3/4" NPT
DRSGX0700	117.20	60.236		30.71	27.72		1" NPT
DRSGX0800	117.48	60.512		33.46	29.10		1" NPT
DRSGX0900	117.76	60.787		37.40	31.06		1 1/2" NPT