

VERSATILE LIMITSWITCH



PROFIBUS[®]

DEVICENET[®]

CANOPEN[®]

ASI[®]



EC94/9
ATEX



ROTEX
CONTROLS, INC.

DNLF1-Explosion Proof SPDT Mechanical Switch



NEMA 4,
4X, 7 & 9



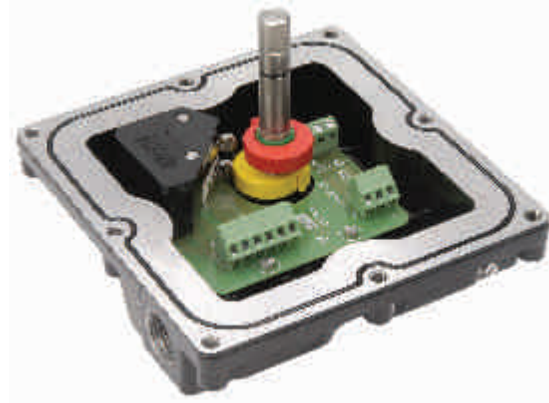
IP67,

EC94/9

ATEX

FEATURES

- Explosion proof to I, IIA, IIB, and IIC
- Enclosure Certified by UL to UL 1203 and UL 508, File No. E246615
- Switch Box conforms to Ex D IIC, T6 highest level of safety
- ATEX Certified by CESI, Italy, Certification No. CESI 05 ATEX017
- Aluminum die cast enclosure, powder coated for superior corrosion resistance
- Weather proof enclosure to IP67
- Polycarbonate Dome, Shatterproof
- Red and Yellow Indicator
- Color coded cams easy to identify, and easy to set
- Serrated cams locked together ensures adjusted settings secured against any vibration
- Special circuit board eliminates internal wiring
- Circuit board laminated for complete corrosion protection
- Solenoid termination inside the switch box is standard
- Two conduit entries provided as standard
- Conduit entry options: ½" NPT, ¾" NPT, M20X1.5
- Complies to Namur mounting standard
- Temperature range 4°F to 146°F
- Bracket available as option



ORDERING OPTIONS

Series	Switch	Qty. Switches	Conduit Entry		Body/Cover		Bracket	Certificates	
DNLF		1	4R	½" NPT	B	Aluminum-Black		U	CU _L , UL _L
			6R	¾" NPT	Y	Aluminum-Yellow		C	CE
		2	3M	M20X1.5	L	Aluminum-Blue		A	ATEX
					B5	CF8M Stainless Steel		CM	CMRI
							CC	CMRI CCDE	

CODE	MAKE	MODEL	RATING
1A	Honeywell	V5C010EN3D	10Amp 120 or 250 VAC, 220 VDC 50Hz/60Hz, NO/NC
11A	Honeywell	V7 1C17E9 201	15Amp 120 or 250 VAC, 220 VDC 50Hz/60Hz, NO/NC
1B	Cherry	D43 CQ1 RA	5Amp 125 or 250 VAC, 220 VDC NO/NC
11B	Cherry	D45 CQ1 RA	15Amp 125 or 250 VAC, 220 VDC NO/NC

Refer to Bracket
Selection Page

ORDERING EXAMPLE

- DNLF-1A2-6R-B-BKS1-U
- Explosion proof to I, II A and II B and Weather proof box provided with Honeywell 15 Amps switches 2 nos, each with one NO and one NC, ¾" NPT cable gland entry. With Stainless Steel bracket, 80X30 tapping, 20mm pinion height, UL approved.

VERSATILE LIMITSWITCH

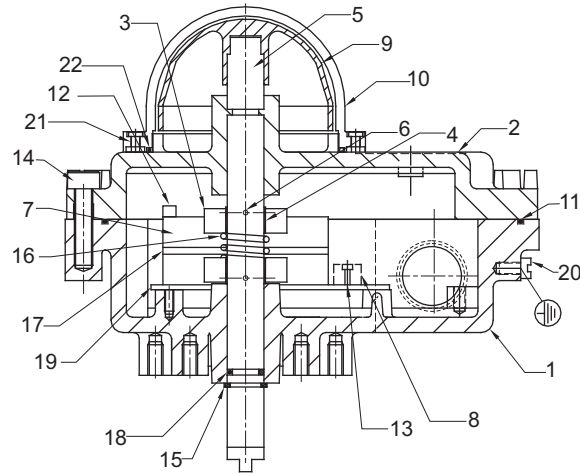


DNLF1-Explosion Proof SPDT Mechanical Switch

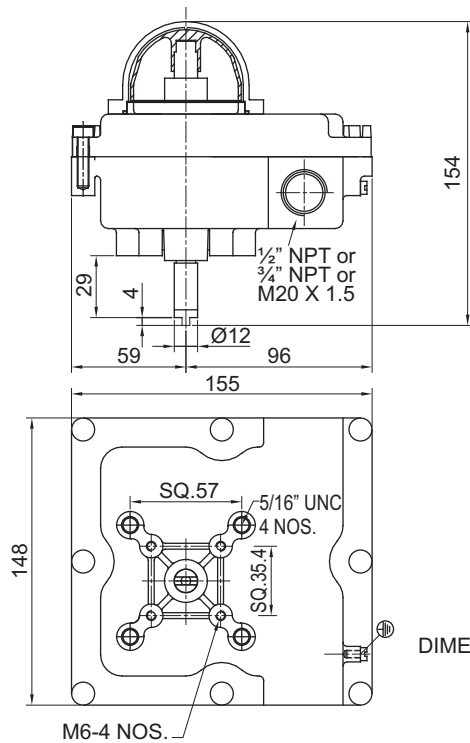
MATERIAL OF CONSTRUCTION

22	'O'RING	1	NBR
21	PHILIPS HEAD SCREW	4	STAINLESS STEEL
20	SCREW FOR EARTHING	2	STAINLESS STEEL
19	CIRCUIT BOARD	1	-
18	'O'RING	2	NBR
17	PAD	1	POLYAMIDE
16	SPRING	1	STAINLESS STEEL
15	'E' TYPE CIRCLIP	1	SPRING STEEL
14	SCREW FOR COVER	8	STAINLESS STEEL
13	SCREW FOR CONN. STRIP	2	STAINLESS STEEL
12	SCREW FOR MICROSWITCH	2	STAINLESS STEEL
11	GASKET	1	NBR
10	INDICATOR COVER	1	POLYCARBONATE
9	INDICATOR	1	ABS PLASTIC
8	CONNECTOR STRIP-6WAY	1	POLYIMIDE
7	MICROSWITCH (SPDT)	2	HONEYWELL/CHERRY
6	SPRING DOWEL	2	SPRING STEEL
5	SHAFT	1	STAINLESS STEEL
4	CAM-LOCK	2	POM
3	CAM	2	POLYCAMIDE
2	COVER	1	ALUMINUM ALLOY LM-6
1	HOUSING	1	ALUMINUM ALLOY LM-6
S.NO.	DESCRIPTION	QTY.	MATERIAL

CROSS SECTION

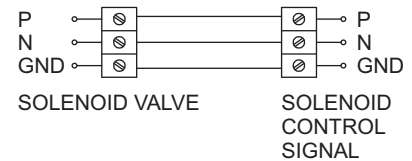


DIMENSION DETAILS



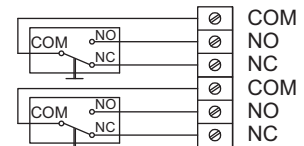
DIMENSION 'X' OPTIONS : 1/2" NPT
3/4" NPT
M20X1.5

WIRING DIAGRAM



Valve open BOTTOM
Yellow cam SWITCH

Valve closed TOP
Red cam SWITCH





ROTEX
INFINITY ACTUATORS

21 Sullivan Parkway,
Fort Edward, NY 12828

Tel : (888) 813 - 9772
Fax : (866) 478 - 9620

www.rotexcontrols.com