

# VERSATILE LIMITSWITCH



PROFIBUS<sup>®</sup>

DEVICENET<sup>®</sup>

CANOPEN<sup>®</sup>

ASI<sup>®</sup>



EC94/9  
ATEX



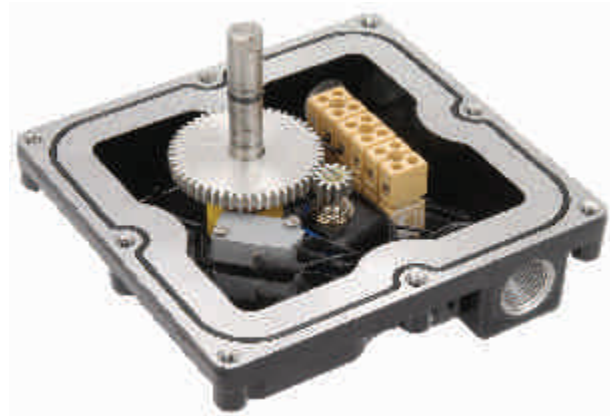
**ROTEX**  
CONTROLS, INC.

## DNLF1-P-NEMA 4 SPDT Mechanical Switch with Position Transmitter



### FEATURES

- Position transmitter may be added to DNLF1 switches only.
- Limit Switch with position feedback rated NEMA 4, 4X
- 0.2% FS - Repeatability 0.2% FS
- Hysteresis 0.3% FS
- Field adjustable Feedback, 1 K or 10 K Ohms
- Two conduit entries provided as standard
- Conduit entry options : 1/2" NPT, 3/4" NPT, M20X1.5
- Complies to Namur mounting standard
- 2 wire system
- Spring loaded resistive feedback
- Microswitch feedback for on and off provided
- Visual percentage indicator provided
- Red and Yellow Indicator
- Temperature range 4°F to 146°F
- Bracket available as option



### ORDERING OPTIONS

Series	Switch	Qty Switches	Feedback	Conduit Entry	Body/Cover	Bracket	Certificates
DNLF		1	P1 1 K Ohm	4R 1/2" NPT	B Aluminum-Black	U	CU <sub>L</sub> , UL <sub>L</sub>
		2	P10 10 K Ohm	6R 3/4" NPT	Y Aluminum-Yellow	C	CE
				3M M20X1.5	L Aluminum-Blue		
					B5 CF8M Stainless Steel		

Refer to Bracket Selection Page

CODE	MAKE	MODEL	RATING
1A	Honeywell	V5C010EN3D	10Amp 120 or 250 VAC, 220 VDC 50Hz/60Hz, NO/NC
11A	Honeywell	V7-1C17E9-201	15Amp 120 or 250 VAC, 220 VDC 50Hz/60Hz, NO/NC
1B	Cherry	D43 CQ1 RA	5Amp 125 or 250 VAC, 220 VDC NO/NC
11B	Cherry	D45 CQ1 RA	15Amp 125 or 250 VAC, 220 VDC NO/NC

### ORDERING EXAMPLE

- DNLF-1A2-P1-4R-B-BSK1-C
- Explosion proof box having a potentiometer output of 1 K ohm resistance when rotated 90 degree. The switch has a 10 amp Honeywell micro switch, with 1/2" cable entries, Black color, Stainless Steel Bracket 80x30 tapping, pinion height 20 mm, CE approved.

# VERSATILE LIMITSWITCH

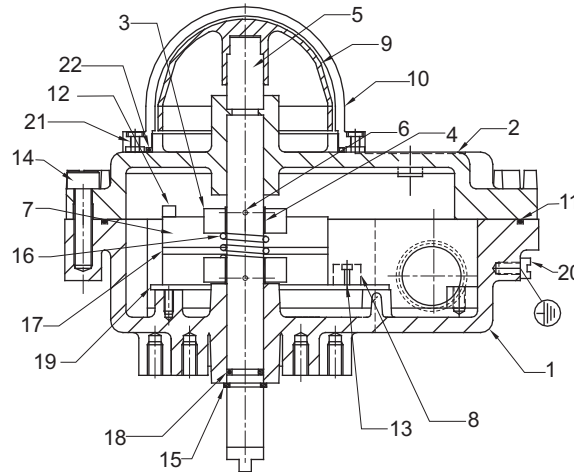


## DNLF1-P-NEMA 4 SPDT Mechanical Switch with Position Transmitter

### MATERIAL OF CONSTRUCTION

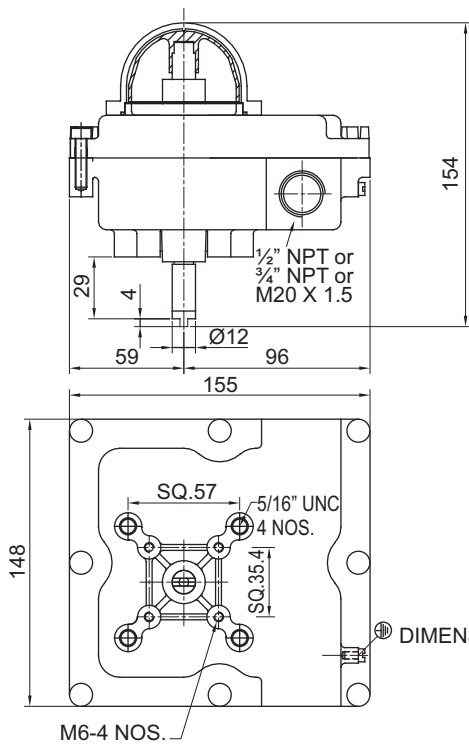
27	HEX SOC. SET SCREW	2	STAINLESS STEEL
26	POTENTIOMETER	1	-
25	PHILIPS HEAD SCREW	4	STAINLESS STEEL
24	CAM-2	1	ALUMINUM
23	CAM-1	1	ALUMINUM
22	BRACKET	1	M.S.
21	SLOTTED CHEESE HEAD SCREW	2	STAINLESS STEEL
20	NON FALLING SCREW	8	STAINLESS STEEL
19	O'RING	1	NBR
18	O'RING	2	NBR
17	PAD	1	POLYAMIDE
16	SPRING	1	STAINLESS STEEL
15	'E' TYPE CIRCLIP	1	SPRING STEEL
14	SCREW FOR EARTHING	2	STAINLESS STEEL
13	SCREW FOR CONN. STRIP	2	STAINLESS STEEL
12	SCREW FOR MICROSWITCH	2	STAINLESS STEEL
11	GASKET	1	NBR
10	INDICATOR COVER	1	POLYCARBONATE
9	INDICATOR	1	ABS PLASTIC
8	TERMINAL BLOCK-6WAY	1	-
7	MICRO SWITCH (SPDT)	2	HONEYWELL/CHERRY
6	SPRING DOWEL	2	SPRING STEEL
5	SHAFT	1	STAINLESS STEEL
4	CAM-LOCK	2	DELTRIN
3	CAM	2	POLYCARBONATE
2	COVER	1	ALUMINUM ALLOY LM-6
1	HOUSING	1	ALUMINUM ALLOY LM-6
S.NO.	DESCRIPTION	QTY.	MATERIAL

### CROSS SECTION



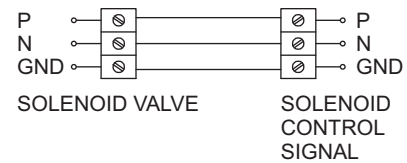
DNLF 1A2+P1 WITH MICROSWITCH

### DIMENSION DETAILS



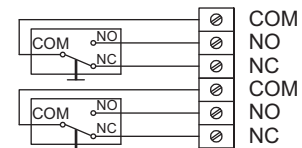
DIMENSION 'X' OPTIONS : 1/2" NPT  
3/4" NPT  
M20X1.5

### WIRING DIAGRAM



Valve open    BOTTOM  
Yellow cam    SWITCH

Valve closed    TOP  
Red cam        SWITCH





**ROTEX**  
INFINITY ACTUATORS

21 Sullivan Parkway,  
Fort Edward, NY 12828

Tel : (888) 813 - 9772  
Fax : (866) 478 - 9620

[www.rotexcontrols.com](http://www.rotexcontrols.com)