

VERSATILE LIMITSWITCH



PROFIBUS[®]

DEVICENET[®]

CANOPEN[®]

ASI[®]

UL[®]
LISTED

EC94/9
ATEX

CE

MRI



ROTEX
CONTROLS, INC.

DNLF2-Explosion Proof Cylindrical Prox Switch

With Option for Intrinsically Safe Switch



FEATURES

- Intrinsically safe
- Cylindrical inductive proximity sensors (Eexia)
- Aluminum die cast enclosure, powder coated for superior corrosion resistance
- Weather proof enclosure to IP67
- Switch box conforms to Ex d IIC, T6 highest level of safety
- Explosion proof to I, IIA, IIB, and IIC
- ATEX certified by CESI, Italy, Certification No. CESI 05 ATEX017
- ATEX as per EN 60079
- UL Certified, conforms to UL 1203 & UL 508, File No. 246615
- Polycarbonate Dome, Shatterproof
- Red and Yellow Indicator
- Color coded cams easy to identify, and easy to set
- Solenoid termination inside the switch box is standard
- Serrated cams locked together ensures adjusted settings secured against any vibration
- Two conduit entries provided as standard
- Conduit entry options 1/2" NPT, 3/4" NPT, M20X1.5
- Temperature range 4°F to 146°F
- Bracket available as option



ORDERING OPTIONS

Series	Switch	Qty. Switches	Conduit Entry	Body/Cover	Bracket	Certificates		
DNLF		1	4R	1/2" NPT	B	Aluminum-Black	U	CU _L , UL _L
			6R	3/4" NPT	Y	Aluminum-Yellow	C	CE
		2	3M	M20X1.5	L	Aluminum-Blue	A	ATEX
					B5	CF8M Stainless Steel	CM	CMRI
						CC	CMRI CCDE	

CODE	MAKE	MODEL	RATING
2A	P & F	NJ2 12 GMN	8 VDC, NC IS
12A	P & F	NCB2 12GMN35 NO	8V, 24V, 100 mA, NO IS
22A	P & F	NBN4 12GMN40 Z0	6V-24V, 100 mA, NO
32A	P & F	NCN4 12GMN35 NO	8V, 24V, 100mA, NC
42A	P & F	NJ4 12GM50 WO	220VAC 200mA 50/60Hz, NC
2C	lfm	NF 5003	8 VDC, NC IS
12C	lfm	IF 5718	24VED, 150mA, NO/NC

Refer to Bracket Selection Page

ORDERING EXAMPLE

- DNLF-12A2-4R-BU
- **UL** approved, Explosion proof box with (2) **PEPPERL +FUCHS** switches, DC output, 1/2" NPT conduit entry, black enclosure.

VERSATILE LIMITSWITCH

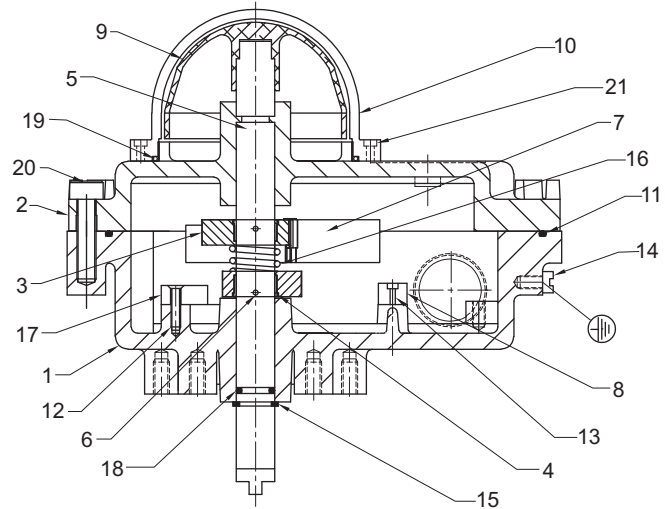


DNLF2-Explosion Proof Cylindrical Prox Switch

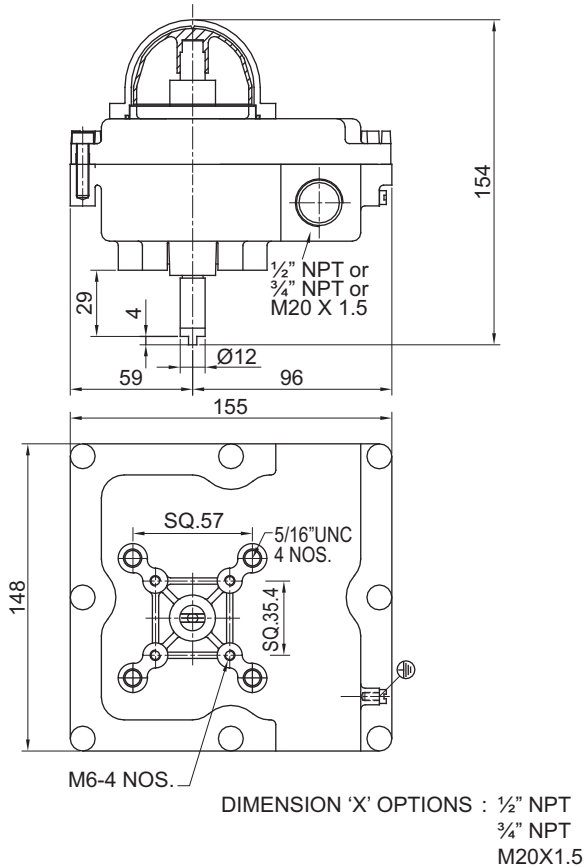
MATERIAL OF CONSTRUCTION

21	PHILIPS HEAD SCREW	4	STAINLESS STEEL
20	NON FALLING SCREW	8	STAINLESS STEEL
19	'O'RING	1	NBR
18	'O'RING	2	NBR
17	BRACKET	1	M.S.
16	SPRING	1	STAINLESS STEEL
15	'E' TYPE CIRCLIP	1	SPRING STEEL
14	SCREW FOR EARTHING	2	STAINLESS STEEL
13	SCREW FOR CONN. STRIP	2	STAINLESS STEEL
12	SCREW FOR BRACKET	2	STAINLESS STEEL
11	GASKET	1	NBR
10	INDICATOR COVER	1	POLYCARBONATE
9	INDICATOR	1	ABS PLASTIC
8	TERMINAL BLOCK-6WAY	1	-
7	PROXIMITY SENSOR	2	P&F, iFM
6	SPRING DOWEL	2	SPRING STEEL
5	SHAFT	1	STAINLESS STEEL
4	CAM-LOCK	2	DELRIN
3	CAM	2	POLYCARBONATE
2	COVER	1	ALUMINUM ALLOY LM-6
1	HOUSING	1	ALUMINUM ALLOY LM-6
S.NO.	DESCRIPTION	QTY.	MATERIAL

CROSS SECTION

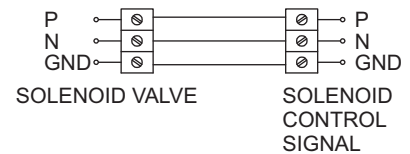


DIMENSION DETAILS



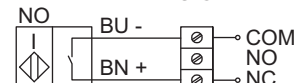
WIRING DIAGRAM

2 WIRE PROXIMITY-NO



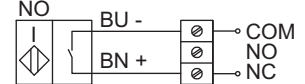
Valve open
Yellow cam

BOTTOM
SWITCH

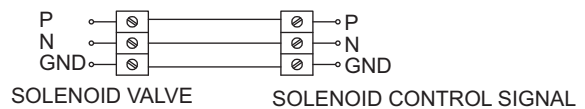


Valve closed
Red cam

TOP
SWITCH

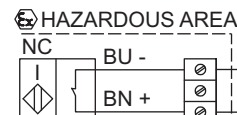


2 WIRE PROXIMITY-NC



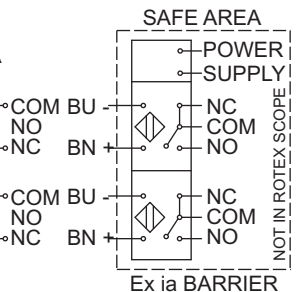
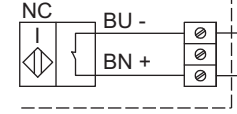
Valve open
Yellow cam

BOTTOM
SWITCH



Valve closed
Red cam

TOP
SWITCH





ROTEX
INFINITY ACTUATORS

21 Sullivan Parkway,
Fort Edward, NY 12828

Tel : (888) 813 - 9772
Fax : (866) 478 - 9620

www.rotexcontrols.com