

VERSATILE LIMITSWITCH



PROFIBUS[®]

DEVICENET[®]

CANOPEN[®]

ASI[®]

UL[®] LISTED

EC94/9
ATEX

CE

MRI



ROTEX
CONTROLS, INC.

DNLF3-Explosion Proof Flat Prox Switch

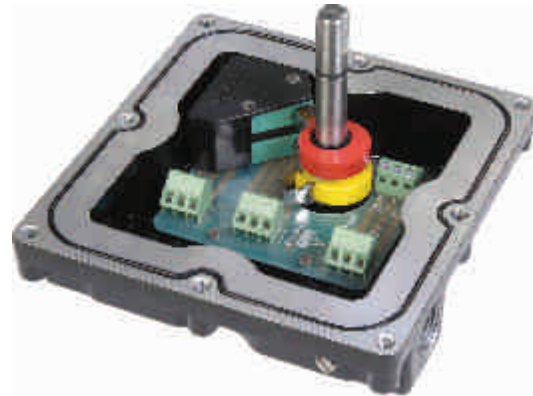
With Option for Intrinsically Safe Switch



EC94/9
ATEX, EEx ia

FEATURES

- Intrinsically safe
- Flat inductive proximity sensors (Eexia)
- Aluminum die cast enclosure, powder coated for superior corrosion resistance
- Weather proof enclosure to IP67
- Switch box conforms to Ex d IIC, T6 highest level of safety
- Explosion proof to I, IIA, IIB, and IIC
- ATEX certified by CESI, Italy, Certification No. CESI 05 ATEX017
- ATEX as per EN 60079
- UL Certified, conforms to UL 1203 & UL 508, File No. 246615
- Polycarbonate Dome, Shatterproof
- Red and Yellow Indicator
- Color coded cams easy to identify, and easy to set
- Solenoid termination inside the switch box is standard
- Serrated cams locked together ensures adjusted settings secured against any vibration
- Two conduit entries provided as standard
- Conduit entry options 1/2" NPT, 3/4" NPT, M20X1.5
- Temperature range 4°F to 146°F
- Bracket available as option



ORDERING OPTIONS

Series	Switch	Qty. Switches	Conduit Entry	Body/Cover	Bracket	Certificates
DNLF		1	4R 1/2" NPT	B Aluminum-Black		U CU _L , UL _L
		2	6R 3/4" NPT	Y Aluminum-Yellow		C CE
			3M M20X1.5	L Aluminum-Blue		A ATEX
				B5 CF8M Stainless Steel		CM CMRI
						CC CMRI CCDE

CODE	MAKE	MODEL	RATING
3A	P & F	NJ2 V3N	8 VDC, 3mA, NC IS
13A	P & F	NBB3 V3 Z4	10-60VDC, 100mA, NO
3C	lfm	IS 5026	24V, 200 mA, NO/NC
13C	lfm	NS 5002	8 VDC, NO/NC IS
23C	lfm	IN 0073	24VDC, 150mA, NO/NC

Refer to Bracket Selection Page

ORDERING EXAMPLE

- DNLF-3A2-4R-BU
- **UL** approved, Explosion proof box with (2) **PEPPERL +FUCHS** switches, Intrinsically safe, 1/2" NPT conduit entry, black enclosure

VERSATILE LIMITSWITCH

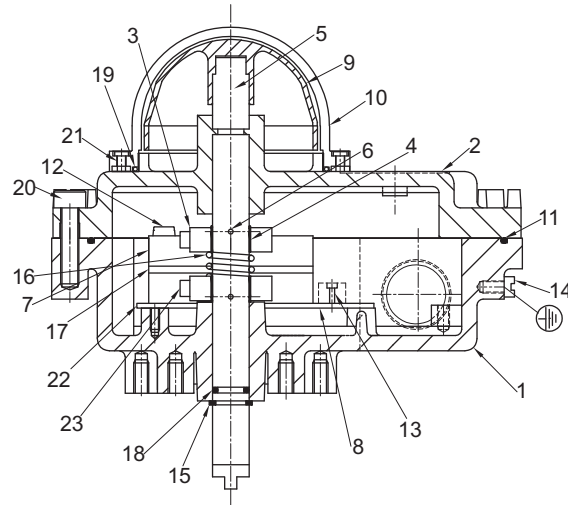


DNLF3-Explosion Proof Flat Prox Switch

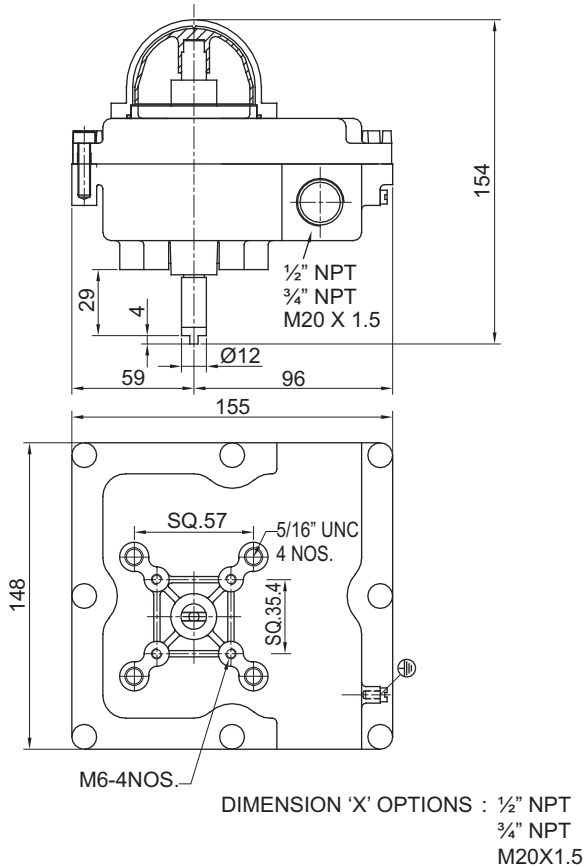
MATERIAL OF CONSTRUCTION

21	PHILIPS HEAD SCREW	4	STAINLESS STEEL
20	NON FALLING SCREW	8	STAINLESS STEEL
19	'O'RING	1	NBR
18	'O'RING	2	NBR
17	BRACKET	1	M.S.
16	SPRING	1	STAINLESS STEEL
15	'E' TYPE CIRCLIP	1	SPRING STEEL
14	SCREW FOR EARTHING	2	STAINLESS STEEL
13	SCREW FOR CONN. STRIP	2	STAINLESS STEEL
12	SCREW FOR BRACKET	2	STAINLESS STEEL
11	GASKET	1	NBR
10	INDICATOR COVER	1	POLYCARBONATE
9	INDICATOR	1	ABS PLASTIC
8	TERMINAL BLOCK-6WAY	1	-
7	PROXIMITY SENSOR	2	P&F, IFM
6	SPRING DOWEL	2	SPRING STEEL
5	SHAFT	1	STAINLESS STEEL
4	CAM-LOCK	2	DELIRIN
3	CAM	2	POLYCARBONATE
2	COVER	1	ALUMINUM ALLOY LM-6
1	HOUSING	1	ALUMINUM ALLOY LM-6
S.NO.	DESCRIPTION	QTY.	MATERIAL

CROSS SECTION

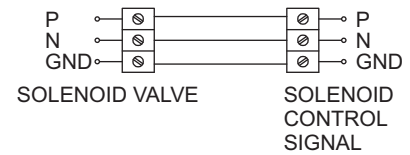


DIMENSION DETAILS

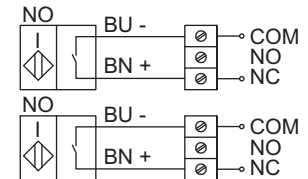


WIRING DIAGRAM

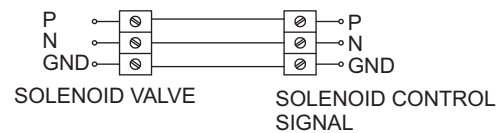
2 WIRE PROXIMITY-NO



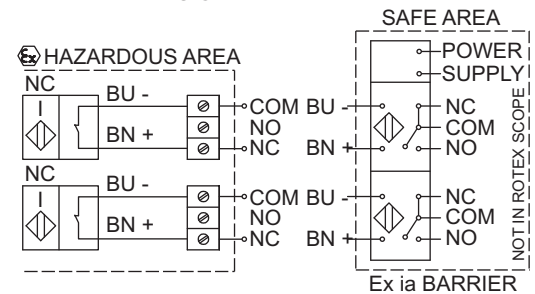
Valve open BOTTOM SWITCH
 Yellow cam
 Valve closed TOP SWITCH
 Red cam



2 WIRE PROXIMITY-NC



Valve open BOTTOM SWITCH
 Yellow cam
 Valve closed TOP SWITCH
 Red cam





ROTEX
INFINITY ACTUATORS

21 Sullivan Parkway,
Fort Edward, NY 12828

Tel : (888) 813 - 9772
Fax : (866) 478 - 9620

www.rotexcontrols.com