

# VERSATILE LIMITSWITCH



PROFIBUS<sup>®</sup>

DEVICENET<sup>®</sup>

CANOPEN<sup>®</sup>

ASI<sup>®</sup>



EC94/9  
ATEX



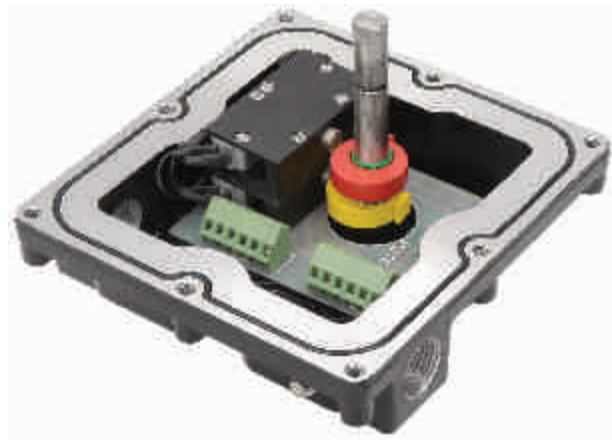
**ROTEX**  
CONTROLS, INC.

## DNLF5-Explosion Proof DPDT Mechanical Switch



### FEATURES

- Explosion proof to I, IIA, IIB, and IIC
- Enclosure certified to UL 1203 & UL508, File No. 246615
- Switch Box conforms to Ex D IIC, T6 highest level of safety
- ATEX certified by CESI, Italy, Cert No. CESI 05 ATEX017
- Aluminum die cast enclosure, powder coated for superior corrosion resistance
- Weather proof enclosure to IP67
- Polycarbonate Dome, Shatterproof
- Red and Yellow Indicator
- Color coded cams easy to identify, easy to set
- Special circuit board eliminates internal wiring
- Circuit board laminated for complete corrosion protection
- Solenoid termination inside the switch box not available
- Serrated cams locked together ensures adjusted settings secured against any vibration
- Two conduit entries provided as standard
- Conduit entry options 1/2" NPT, 3/4" NPT, M20X1.5
- Temperature 4°F to 146°F
- Bracket available as option



### ORDERING OPTIONS

Series	Switch	Qty. Switches	Conduit Entry	Body/Cover	Bracket	Certificates
DNLF		1	4R 1/2" NPT	B Aluminum-Black		U CU <sub>L</sub> , UL <sub>L</sub>
		2	6R 3/4" NPT	Y Aluminum-Yellow		C CE
			3M M20X1.5	L Aluminum-Blue		A ATEX
				B5 CF8M Stainless Steel		CM CMRI
						CC CMRI CCDE

CODE	MAKE	MODEL	RATING
5A	Honeywell	V5C010EN3D	10Amp 120 or 250 VAC, 220 VDC 50Hz/60Hz, NO/NC
15A	Honeywell	V7 1C17E9 201	15Amp 120 or 250 VAC, 220 VDC 50Hz/60Hz, NO/NC
1B	Cherry	D43 CQ1 RA	5Amp 125 or 250 VAC, 220 VDC NO/NC
11B	Cherry	D45 CQ1 RA	15Amp 125 or 250 VAC, 220 VDC NO/NC

Refer to Bracket Selection Page

### ORDERING EXAMPLE

- DNLF-5A2-6R-B-BKS1-A
- Explosion proof to I, II A and II B and Weather proof box provided with Honeywell 10 Amp switches 2 nos, each with two NO and two NC, 3/4" NPT cable gland entry. With Stainless Steel bracket suitable for 80X30 tapping and for 20mm pinion height. With ATEX Certification.

# VERSATILE LIMITSWITCH

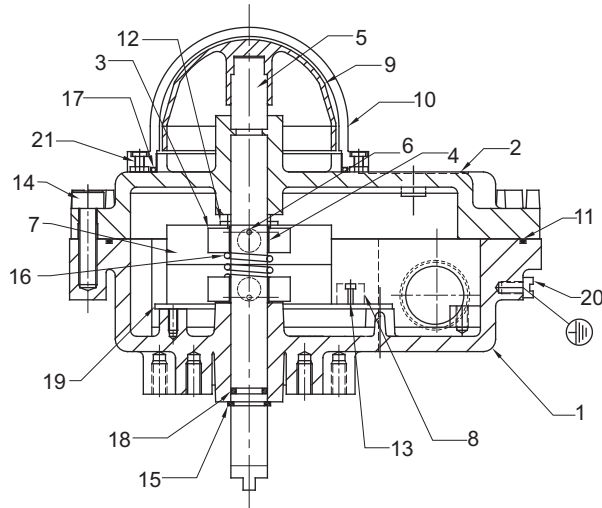


## DNLF5-Explosion Proof DPDT Mechanical Switch

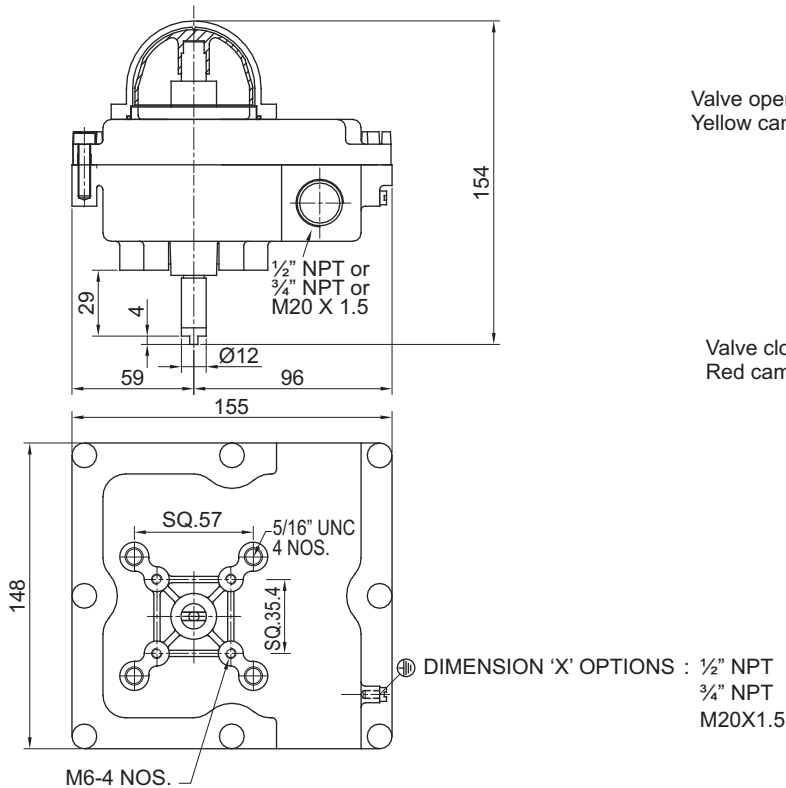
### MATERIAL OF CONSTRUCTION

21	PHILIPS HEAD SCREW	4	STAINLESS STEEL
20	SCREW FOR EARTHING	2	STAINLESS STEEL
19	CIRCUIT BOARD	1	-
18	'O'RING	2	NBR
17	'O'RING	1	NBR
16	SPRING	1	STAINLESS STEEL
15	'E' TYPE CIRCLIP	1	SPRING STEEL
14	SCREW FOR COVER	8	STAINLESS STEEL
13	SCREW FOR CONN. STRIP	2	STAINLESS STEEL
12	SCREW FOR BRACKET	2	STAINLESS STEEL
11	GASKET	1	NBR
10	INDICATOR COVER	1	POLYCARBONATE
9	INDICATOR	1	ABS PLASTIC
8	CONNECTOR STRIP 6 WAY	1	POLYMIDE
7	MICROSWITCH (DPDT)	2	HONEYWELL/CHERRY
6	SPRING DOWEL	2	SPRING STEEL
5	SHAFT	1	STAINLESS STEEL
4	CAM-LOCK	2	POM
3	CAM	2	POLYMIDE
2	COVER	1	ALUMINUM ALLOY LM-6
1	HOUSING	1	ALUMINUM ALLOY LM-6
S.NO.	DESCRIPTION	QTY.	MATERIAL

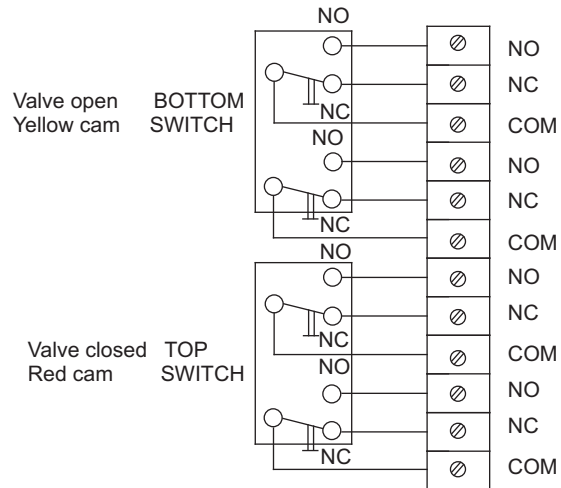
### CROSS SECTION



### DIMENSION DETAILS



### WIRING DIAGRAM





**ROTEX**  
INFINITY ACTUATORS

21 Sullivan Parkway,  
Fort Edward, NY 12828

Tel : (888) 813 - 9772  
Fax : (866) 478 - 9620

[www.rotexcontrols.com](http://www.rotexcontrols.com)