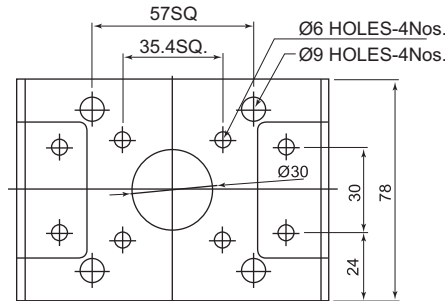


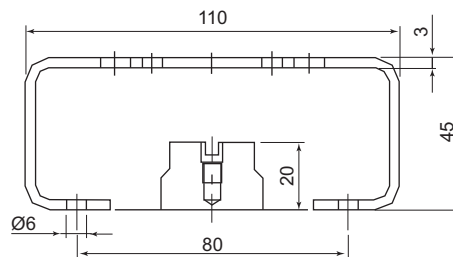
Mounting Bracket Ordering Code Options

Brackets are supplied with fasteners for top and bottom, to fit standard actuator ISO threads.



ISO-1 30mm X 80mm X 20mm

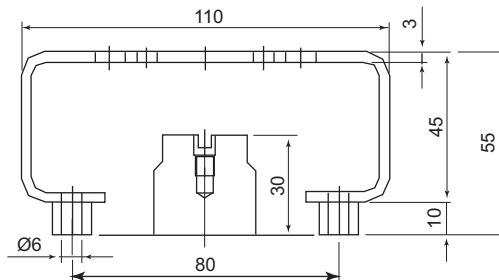
CODE	BRACKET MATERIAL
BKS1	304 SS
BKC1	STEEL, Powder Coated



Bracket for Rotex Actuator models ECV50 through ECV175

ISO-2 30mm X 80mm X 30mm

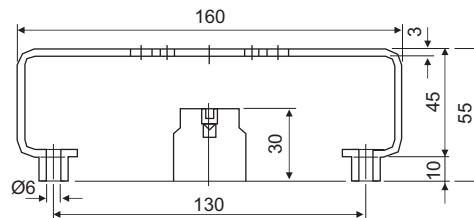
CODE	BRACKET MATERIAL
BKS2	304 SS
BKC2	STEEL, Powder Coated



Bracket for Rotex Actuator models ECV200 through ECV350

ISO-3 30mm X 130mm X 30mm

CODE	BRACKET MATERIAL
BKS3	304 SS
BKC3	STEEL, Powder Coated



Bracket for Rotex Actuator models ECV200 through ECV350

ISO-4 30mm X 130mm X 50mm

CODE	BRACKET MATERIAL
BKS4	304 SS
BKC4	STEEL, Powder Coated

